

HOMCOM

IN220800650V02\_UK\_IT

**A70-022**



UKCA CE



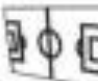




**A70-022**

Ξύλινο Επιτραπέζιο Ποδοσφαιράκι με 6 Σειρές

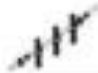


### PARTS:

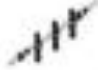
Number		Qty
<b>A1</b>		x 2
<b>A2</b>		x 6
<b>A3</b>		x 6
<b>B1</b>	 M5*20	x 24
<b>B2</b>	 M3.5*22	x 4
<b>B3</b>	 M3.5*35	x 2
<b>C1</b>		x 1

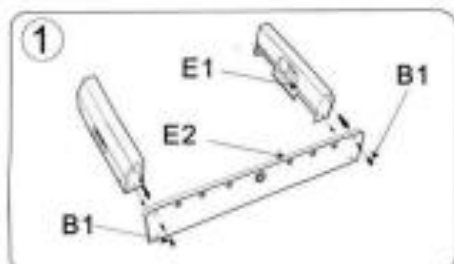
Number		Qty
<b>E1</b>		x 2
<b>E2</b>		x 2
<b>E3</b>		x 1
<b>E4</b>		x 4
<b>E5</b>		x 2
<b>E6</b>		x 2
<b>E7</b>		x 1

### Home Team

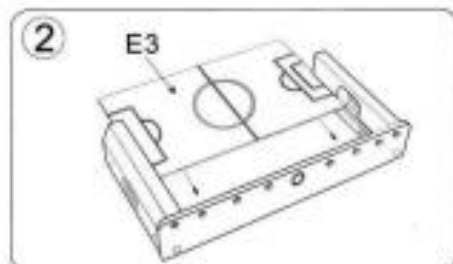
<b>T1</b>		x 3
-----------	---	-----

### Away Team

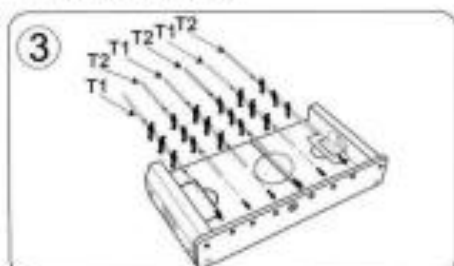
<b>T2</b>		x 3
-----------	---	-----



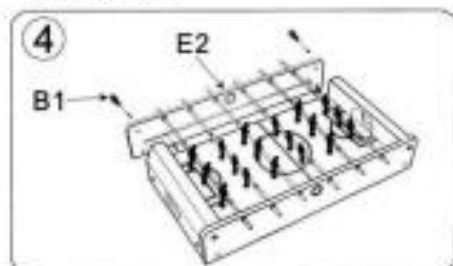
Assemble two short boards and one long board, then connect by screws.



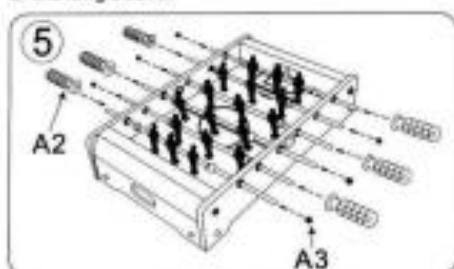
Insert the bottom board into the assembled boards of 1step.



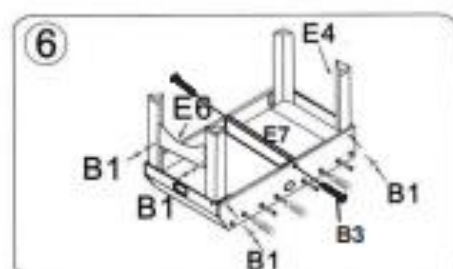
Install the bars with athletes into the holes of the long board.



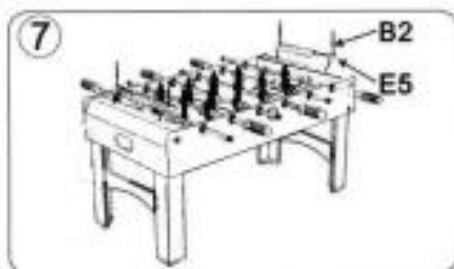
Insert the last long board right to the position of the bars ,then screw it in.



Insert six handles and six cover into the bars,make sure that all the handles are tightened.



Place the legs on the bottom And screw it.



Install two markers into each end side